



24V DC Input Electronic “Program Start”
High Efficiency Fluorescent Dimming Ballast



32W T8 (NB24-T832-02D)

Two lamp ballast

KEY FEATURES

- Low-voltage, 2 wire (class 2)
- 0-10V DC control technology
- Programmed rapid start design
- Ultra quiet operation
- State-of-the-art Phase Control
- 10% fluorescent dimming ballast

Toll free: 1 (877) 24-VOLTS
Web: nextekpower.com
Email: info@nextekpower.com



- Low-voltage, 2 wire (class 2) 0-10Vdc control technology turns lamps off (<1 Volts) at the bottom of the voltage range. Lamps can be switched back on to a previous dimming level instantly
- Programmed rapid start design: Lamps turn on to any dimmed level without flashing to full brightness
- State-of-the-art Phase Control operation resulting in continuous, flicker-free dimming from 100% to 10%.
- Inherent Thermal Protection
- Type I, Class P, Sound rated A
- USL & CNL 935 Listed
- Input voltage is rated class 2, which does not require grounding. No provision exists for grounding. (Input 24V DC, <4A)

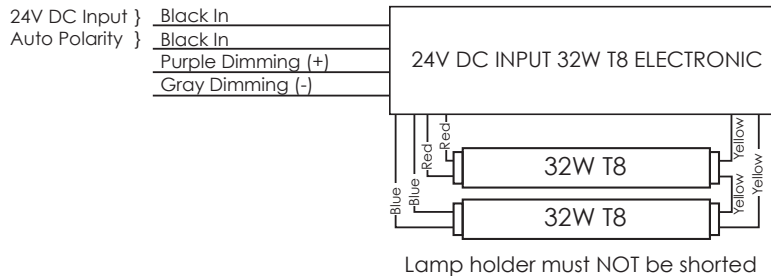
TECHNICAL SPECIFICATIONS

Operating Voltage:	24V DC (nominal) ±10%
Operating Current:	1.99 Amp @ 24V DC
Maximum Peak Inrush Current:	37 amps, 50 μS pulse width
Operating Temperature:	0°C-49°C
Maximum Ballast Factor:	0.75
Peak Efficiency	94%
Crest Factor:	<1.55
Analog Dimming:	0V DC - off, 1-10V DC - Dimming
Dimensions:	1.10"W x 0.96"H x 9.57"L
Weight:	16 Oz
Construction:	Steel
Operated With:	F32T8, F32T8ES, FB032, FB32, F31T8, F25T8, F28T8

All specifications are subject to change without notice.

DC BALLAST WIRING DIAGRAM

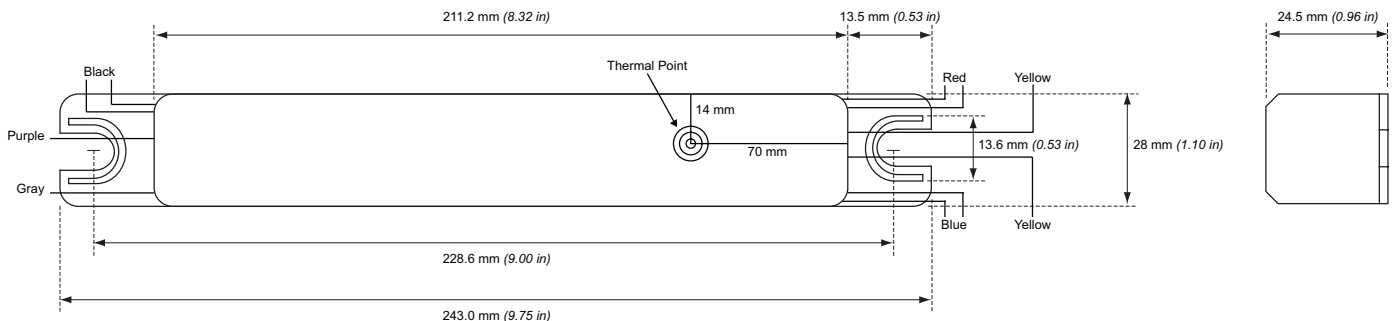
Model: NB24-T832-02D



Note:
When used with one lamp, cap off yellow wires.

Protected by US Patent 7,224,131; 6,933,627; 6,693,395 and other patents pending

ENCLOSURE DIAGRAM



For more information:

Nextek Power Systems
461 Burroughs Street
Detroit, Michigan 48202

Tel: 313.887.1321
Toll free: 1 (877) 24-VOLTS
Fax: 313.887.9433

nextekpower.com
dcballast.com
info@nextekpower.com